



Create long-lasting outdoor signage with the fastest printer in its class.¹ This 64 inch-wide HP Designjet is an excellent tool to boost production and profitability: increase your print volume, improve your services, and reduce your costs.



Move your productivity to the next level

- **Heavy-duty HP printheads and HP supplies for maximum productivity.** Experience high-speed printing with six heavy-duty Piezo printheads that come with 512 nozzles per printhead for a total of 3,072 nozzles. 1000 ml, HP 790 ink cartridges are designed to meet your usage needs.
- **Enable long, unattended print runs for improved productivity with the HP Take-Up Reel.** Busy print and sign shop employees can be more productive by maximizing unattended printing with four winding modes: slack/face-in, slack/face-out, tight/face-in, and tight/face-out.
- **HP Smart printing technology² makes HP "low-solvent"³ printing supplies easy to use and manage.** Interactive system technology in HP ink cartridges, printheads, and your printer optimizes print quality and reliability and monitors ink levels.
- **Dry signs quickly and safely with the easy-to-operate HP Designjet High Speed Dryer.** Add this optional high-speed dryer and accelerate drying time. Control temperature, fan airflow, and the timer from the front panel. Combine the dryer with the automatic Take-Up Reel Kit and enable long, unattended print runs at maximum print speeds.

Vivid colors with excellent durability

- **Wow your clients with vivid color output that shines brightly.** Create signs, banners, and large graphics with such vivid color, they radiate success. Sophisticated HP low-solvent ink formulations and printhead technology enable a higher concentration of colorants in the inks to produce a wider gamut of rich, saturated color. The result - more vivid color for high impact image quality.
- **HP low-solvent inks - excellent durability without lamination on low-cost, uncoated media.** Designed with the HP 9000s Printer, HP low-solvent ink formulations produce durable prints that resist fading for up to three years without lamination and are scratch, smear, and crack resistant⁴.
- **Premium image quality - HP printing materials designed with HP low-solvent inks.** With HP Premium Scrim Banner, HP Universal Scrim Banner, HP Premium Backlit Film, HP Blue Back Satin Billboard Paper, HP Satin Canvas, and HP Translucent PVC Display Film, get premium image quality and high opacity.

Better business, more profits

- **Successfully compete against screen print shops for those shorter run lengths.** Yes; it's true! Better business and more profits are a reality with this printer. High print speeds and low printing costs increase the break-even point against screen printers, making it easier to compete, and creating a huge opportunity in the outdoor printing market.
- **Minimize your costs and get lasting output on uncoated media.** Count on excellent quality output on a range of low cost, uncoated materials, such as adhesive vinyls, films, banner stocks, papers, and fabrics.

Safety and support - at HP, your needs come first

- **Have a clean, safe print environment with an integrated air purifier created for HP Designjets.** This printer-connected system uses a sealed, carbon-activated filter and high-powered fan to filter air at a rate consistent with the print speed and the number of volatile organic compounds released during the printing process.
- **HP guidelines help make HP low-solvent ink printing safe, productive, and easy.** Following HP's installation and use guidelines helps you achieve a reliable and productive low-solvent ink printing solution and helps you address environmental, health, and safety questions about printing with HP low-solvent inks. To learn more, visit www.hp.com/go/ehs.
- **Designed together for HP quality and reliability.** The HP Designjet printing system - printers, low-solvent inks, ink cartridges, printheads, and printing material - is engineered to work with precision and must meet strict HP quality standards. Reliable operation saves you time and improves your productivity.
- **HP offers the cleaning supplies and replacement ink cartridges needed to maintain your system.** HP training and guidelines help you implement environmentally responsible and safe practices for the purchase, installation, operation, handling, and maintenance of HP low-solvent printing supplies.
- **Experience peace of mind, knowing you're covered with HP's award-winning service and support.** HP's customer service and support backs every product with fast, knowledgeable online e-Support available 24/7 at www.hp.com/support, and easy-to-access phone support provided by HP trained agents. Plus, you can enhance your warranty protection with the purchase of affordable HP Care Pack Services.



1000 ml HP Ink Supplies



Adjustable vacuum system



Easy media loading

¹ Compared to other large-format printers within the same price range. Based on the recognized standard printing mode in the digital print industry-720 dpi with four passes per color-published by manufacturers as of December 2005.

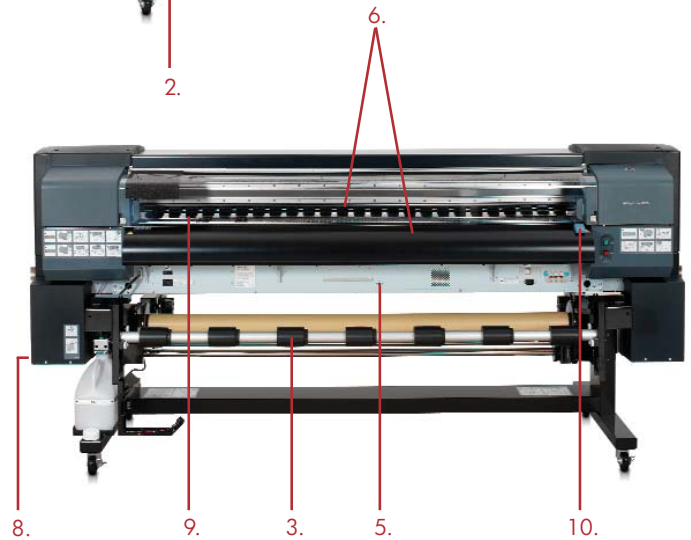
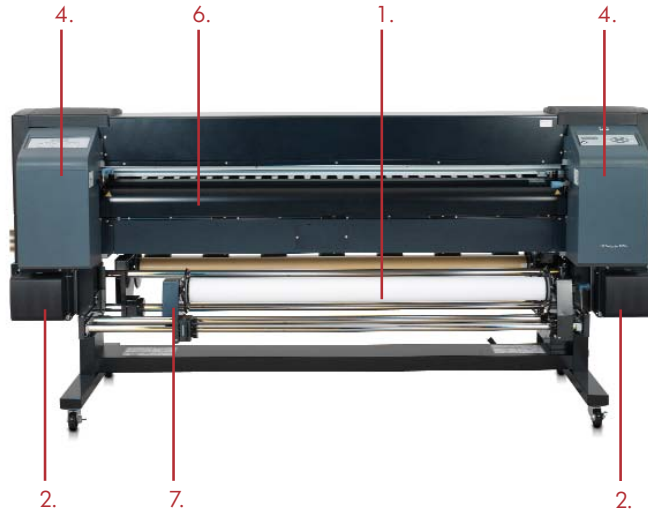
² Using genuine HP supplies ensures availability of all HP printing features.

³ HP "low-solvent" inks are defined according to what is currently known in the industry as low-solvent inks.

⁴ Image permanence and application durability under typical exposure in vertical display conditions and varies as environmental conditions change.

HP Designjet 9000s Printer series

1. Up to 64 in/1626 mm wide
2. Six HP 790 ink cartridges, 1000 ml each with "hot-swap", which allows you to change an ink cartridge without interrupting the print job
3. Heavy-duty HP Take-Up Reel with four winding modes
4. Two interactive front panel
5. USB 2.0 Hi-speed connectivity
6. 3 user-controllable integrated heaters
7. Easy media-loading
8. Exhaust attachment for efficient removal of Volatile Organic Compounds (VOC) included in the printer box
9. Printhead height adjustable to 2 different positions
10. Adjustable vacuum system to match media width



HP Designjet 9000s Printer series at a glance

HP Designjet 9000s Printer

In the box

HP Designjet 9000s Printer (with stand assembled)
including Take-Up Reel

Optional accessories

- HP Designjet Air Purifier System
- HP Designjet High Speed Dryer
- Onyx® PosterShop® 7.0 for HP Designjet
- Media cover for HP Designjet 9000s series
- HP Designjet APS Filter



Detail on Take-Up Reel with four winding modes

The HP Designjet 9000s Printer series, HP low-solvent ink cartridges, and printing material were all designed, engineered and tested together to ensure uncompromising reliability, image quality, durability, performance and ease of use. The total HP printing solution is composed of the following accessories:

HP Designjet Air Purifier System

Put your confidence in HP. Add this air purifier system (APS) - specially designed for HP low-solvent inks - to your HP Designjet printer for highly efficient air filtration. The APS includes the tubes that connect to the printer.

Count on HP for a clean, safe* print environment

- **Highly effective carbon filter removes hazardous substances released from solvent inks.**
- **Return cleaned air to the working area or divert it outside.** This air purification system is equipped with a standard sealing device, and collected pollutants are led automatically through the filter.

Easily operate with front-panel display unit

- **Access air purification system data through a front-panel display unit.**
- **Easily replace the filter through the front door on the system.**

* When used appropriately, according to the product's guidelines.



HP Designjet High Speed Dryer

Add this high-speed dryer to your HP Designjet 9000s Printer and accelerate drying time.

Improve productivity - dryer reduces drying time

- **Dry prints as quickly as the automatic take-up reel can roll them up.** With the high-speed dryer and take-up reel, you can complete jobs at a rate of up to 322 ft²/hour (29.9 m²/hour). The integrated dryer and take-up reel enable unattended print runs.

Easily operate high-speed dryer

- **Completely dry prints with user-adjustable heater and blower unit.** Use variable controls on top of the dryer unit to set the heater temperature and to adjust the fan airflow.
- **Dryer's off timer allows unattended drying for up to 12 hours**

Count on a dryer that was designed for safety

- **Built for high-volume, commercial print environments**



Onyx® PosterShop® 7.0 for HP Designjet

Use this Onyx® PosterShop® RIP to print job after job of the best colors your printer can produce. Efficiently manage jobs and handle production with job preflight and printer queue tools.

Print the colors your customers expect

- **Make color changes - to precise spots or entire images - with intuitive color correction tools**
- **Have CMYK colors pop with PosterColor color rendering**

Print and customize jobs quickly and easily

- **Modify jobs and see final layout on your screen before printing with easy-to-use preflight controls technology by Onyx®**
- **Print directly from your creative applications or from Hot Folders that specify job properties**
- **Add cut marks to your print jobs easier than ever with this RIP's contour cutting workflow**

Manage media and calibrate your printer as needed

- **Use the RIP's default media calibration tables, or add and calibrate your own printing materials**



Complete Solution

HP Designjet 9000s Printer series



Technical specifications

Print speed	
High quality	88 ft ² /h (8.17 m ² /h), color image on vinyl media
Normal	176 ft ² /h (16.35 m ² /h), color image on vinyl media
Draft normal	220 ft ² /h (20.4 m ² /h), color image on vinyl media
Fast	322 ft ² /h (29.9 m ² /h), color image on vinyl media
Print resolution maximum	720 x 720 dpi
Print margins	
Normal	(Top x bottom x right x left): 0.2 x 0.2 x 0.2 x 0.2 in/5 x 5 x 5 x 5 mm
Using paper edge guard	(Top x bottom x right x left): 0.2 x 0.4 x 0.2 x 0.4 in/5 x 10 x 5 x 10 mm
Memory	192 MB
Media	
Handling	Roll to roll, 4 position support take-up reel
Types	Paper, vinyl, banner scrim, films, fabrics
Thickness	0.002 - 0.024 in/0.07 - 0.63 mm
Printhead height	0.826 to 0.102 in/2.1 to 2.6 mm
Maximum width	64 in/1626 mm
Maximum roll weight	52.9 lb/24 kg
Printing	
Technology	Piezo-electric inkjet heads
Technology resolution	720 x 720 dpi
Print cartridge colors	Cyan, magenta, yellow, black, light cyan, light magenta
Ink types	HP low-solvent inks
Ink drop	12 pl
Ink cartridge size	1000 ml per color
Nozzles	512 nozzles per head x 6 colors
Maximum print length	150 ft/45.7 m (RIP dependent)
Print accuracy	± 0.3% or ± 5 mm whichever is larger
Heater	
Integrated	3 independent heating systems
Heater locations	Front, print and rear areas
Heater settable temperature	59 to 131 °F/15 to 55 °C
Interfaces (Standard)	USB 2.0 Hi-speed
Dimensions (w x d x h)	
Printer	100 x 33.9 x 47.3 in/2540 x 861 x 1201 mm
Shipping	107 x 40 x 56 in/2720 x 1020 x 1420 mm
Weight	
Printer	506 lb/229 kg
Shipping	633 lb/287 kg
What's in the box	
HP Designjet 9000s Printer	HP Designjet 9000s Printer (with stand assembled), waste ink bottle (2), take-up reel, tension bar for take-up reel, coated paper, paper tube, screwdriver for assembly, cleaning kit, start-up ink cartridges (6 x 500 ml), exhaust attachment kit, power cord for printer, power cord for heater, user guide CD, USB cable, rubber gloves

Environmental ranges	
Recommended operating temperature	59 to 86 °F/15 to 30 °C
Storage temperature	41 to 95 °F/5 to 35 °C
Recommended humidity range	30 to 70% RH
Acoustic	
Sound pressure, active	60 dB (A)
Sound pressure, standby	45 dB (A)
Power consumption	
Printer active	200 watts
Printer with Heater active	1440 watts
Printer standby	40 watts
Heater standby	2 watts
Power requirements	
Printer	Input voltage 100 to 127 VAC (+/-10%), 50/60 Hz +/- 1 Hz, 2 amp; 220-240 VAC (+/-10%), 50/60 Hz +/- 1 Hz, 1 amp
Heater	Input voltage 100 to 127 VAC (+/-10%), 50/60 Hz +/- 1 Hz, 12 amp; 220-240 VAC (+/-10%), 50/60 Hz +/- 1 Hz, 6 amp
Certification	
Safety certification	Compliant with IEC 60950, including EU LVD and EN60950, CSA certified for US and Canada, Mexico NYCE, Argentina IRAM, Singapore PSB, Russia VNIIS, Poland EL TEST
Electromagnetic certification	Compliant with Class A requirements including EU (EMC Directive), USA (FCC rules), Canada (DoC), Australia (ACA), New Zealand (MoCo), Japan (VCCI), Korea (MIC), Taiwan (BSMI)
Environmental certification	WEEE, ROHS
Warranty	
Printer	One year system warranty
Printheads	One year warranty

Microsoft and Windows are U.S. registered trademarks of Microsoft Corporation.
© 2006 Hewlett-Packard Development Company, L.P. The information contained herein is subject to change without notice. The only warranties for HP products and services are set forth in the express warranty statements accompanying such products and services. Nothing herein should be construed as constituting an additional warranty. HP shall not be liable for technical or editorial errors or omissions contained herein.

Accessories - technical specifications

HP Designjet Air Purifier System	
What's in the box	HP Designjet Air Purifier unit with 2 filter elements inside, APS printer connection set, user's guide, power cord in compliance with regional power
Product weight	209 lb/95 kg plus tube connections
Package weight	253 lb/115 kg
Product dimensions	14.3 x 31.5 x 31.3 in 365 x 801 x 797 mm
Package dimensions	22.4 x 35.4 x 44.8 in 570 x 900 x 1140 mm
Power consumption	1600 watts
Fan power	12713 ft ³ /hr (360 m ³ /hr)

HP Designjet High Speed Dryer	
What's in the box	Dryer unit, support stay, foot with castor (2), stand (2), M5 x 12L hexagon socket head bolt (16), hexagon bar wrench, user's guide, power cord in compliance with regional power
Product weight	88 lb/40 kg
Package weight	132 lb/60 kg
Product dimensions	95.1 x 24 x 35.5 in 2416 x 612 x 903 mm
Package dimensions	99.6 x 27 x 13 in 2530 x 690 x 335 mm
Power consumption	2750 watts

Minimum PC operating system requirements for the Onyx® PosterShop® 7.0 for HP Designjet

Windows XP Pro with latest SP, Windows 2000 Pro with latest SP, Intel Pentium 3 or higher, Athlon, 2.5 GHz or higher, Dual CPC for multiple RIPs, one 80 GB Hard Drive (preferably two 80 GB Hard Drives for optimal performance), 1 GB RAM per CPU, 1280 x 768 16 bit color display, one USB Port required for security key, DVD-ROM drive

Ordering information	
Product	Q6665A HP Designjet 9000s Printer
Accessories	
Q6668F	HP Designjet Air Purifier System 110V
Q6710A	HP Designjet Air Purifier System Filter
Q6667A	HP Designjet High Speed Dryer
Q6669B	Onyx® PosterShop® 7.0 for HP Designjet
Q6680A	Media cover for HP Designjet 9000s series
Service & Support care packs	
UF278E	HP 2-Year Next Business Day Onsite HP Designjet 9000s hardware support
UD916E	HP 3-Year Next Business Day Onsite HP Designjet 9000s Hardware Support
UE697E	HP Maintenance HP Designjet 9000s Service
UD925FE	HP 1-Year Post-Warranty Next Business Day Onsite HP Designjet 9000s Hardware Support
UD628PE	HP 1-Year Post-Warranty Technical Phone Support Service
Ink supplies	
Cartridges	
CB271A	HP 790 Black Ink Cartridge, 1000 ml
CB272A	HP 790 Cyan Ink Cartridge, 1000 ml
CB273A	HP 790 Magenta Ink Cartridge, 1000 ml
CB274A	HP 790 Yellow Ink Cartridge, 1000 ml
CB275A	HP 790 Light Cyan Ink Cartridge, 1000 ml
CB276A	HP Light Magenta Ink Cartridge, 1000 ml
Waste Ink Bottle	
CB299A	HP 790 Waste Ink Bottle
Maintenance Kits	
CB293A	HP 790 Wiper Cleaning Kit
CB294A	HP 790 Cap Cleaning Kit
CB296A	HP 790 Ink System Cleaning Kit
CB297A	HP 790 Ink System Storage Kit
Media supplies	
Q8680A	HP Universal Scrim Banner 36 in x 164 ft/914 mm x 50 m
Q8681A	HP Universal Scrim Banner 54 in x 100 ft/1372 mm x 30.5 m
Q8775A	HP Universal Scrim Banner 64 in x 100 ft/1626 mm x 30.5 m
Q8682A	HP Premium Self-adhesive Vinyl 60 in x 150 ft/1372 mm x 45.7 m
Q8683A	HP Premium Self-adhesive Vinyl 60 in x 150 ft/1524 mm x 45.7 m
Q8684A	HP Premium Backlit Film 36 in x 66 ft/914 mm x 20.1 m
Q8685A	HP Premium Backlit Film 54 in x 66 ft/1372 mm x 20.1 m
Q8686A	HP Universal Photo-realistic Paper 36 in x 150 ft/914 mm x 45.7 m
Q8687A	HP Universal Photo-realistic Paper 54 in x 150 ft/1372 mm x 45.7 m
Q8782A	HP Blue Back Satin Billboard Paper 54 in x 200 ft/1372 mm x 61 m
Q8832A	HP Blue Back Satin Billboard Paper 64 in x 200 ft/1626 mm x 61 m
Q8838A	HP Satin Canvas 36 in x 49 ft/914 mm x 14.9 m
Q8783A	HP Satin Canvas 54 in x 49 ft/1372 mm x 14.9 m
Q8833A	HP Satin Canvas 60 in x 49 ft/1524 mm x 14.9 m
Q8781A	HP Translucent PVC Display Film 36 in x 100 ft/914 mm x 30.5 m
Q8830A	HP Translucent PVC Display Film 54 in x 100 ft/1372 mm x 30.5 m
Q8831A	HP Translucent PVC Display Film 60 in x 100 ft/1524 mm x 30.5 m

For more information, visit our website at
www.hp.com/go/designjet9000s